

A43

GSX-RECS

MP

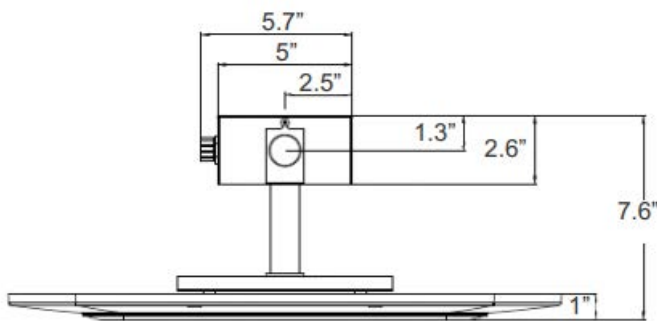


TECHNICAL SPECIFICATIONS:

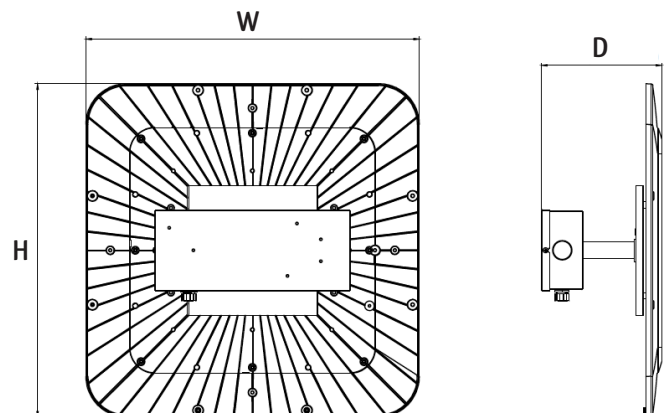
- :: Multi-Power: Selectable Switch is on the side of the fixture
- :: Recessed or shoebox installation
- :: Housing: ADC12 Aluminum Alloy, Outdoor Powder Coated
- :: Optical Lens: High Transmittance PC, Anti-UV & Fire Resistant
- :: Beam Angle: 100°X100°
- :: Voltage: 120-277V AC
- :: CRI: >70
- :: Efficacy: 140LM/W
- :: CRI: >70
- :: Power Factor: 0.95
- :: Operating Temp: -40°F~104°F
- :: 70,000 hour rated life
- :: Suitable for Wet Locations, IP65
- :: 7-year warranty

APPLICATIONS:

:: Ideal for airport, auto dealership, corporate and office, education, government, healthcare, industrial and warehouse, municipal, parking, gas station and convenience stores, recreation and public venues, restaurants and hospitality, retail and grocery.



Pipe & Box Dimensions



LED GAS STATION/CANOPIE LIGHTS

CATALOG NO.	WATTS	LPW	COLOR TEMP	DIMENSIONS
GSX-RECS-80-150W-50K	80W/ 100W/ 120W/ 150W	140LM/W	5000K	20 1/2"(W) x 20 1/2"(H) x 7 2/5"(D)